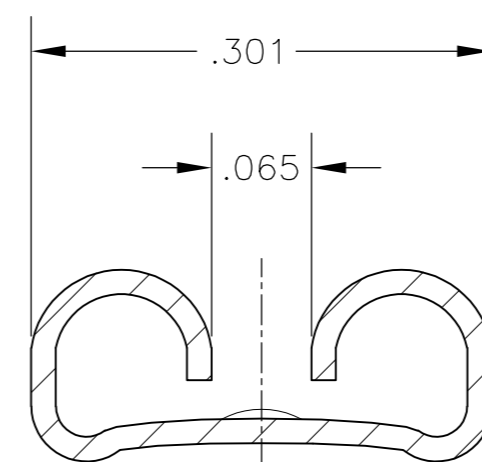
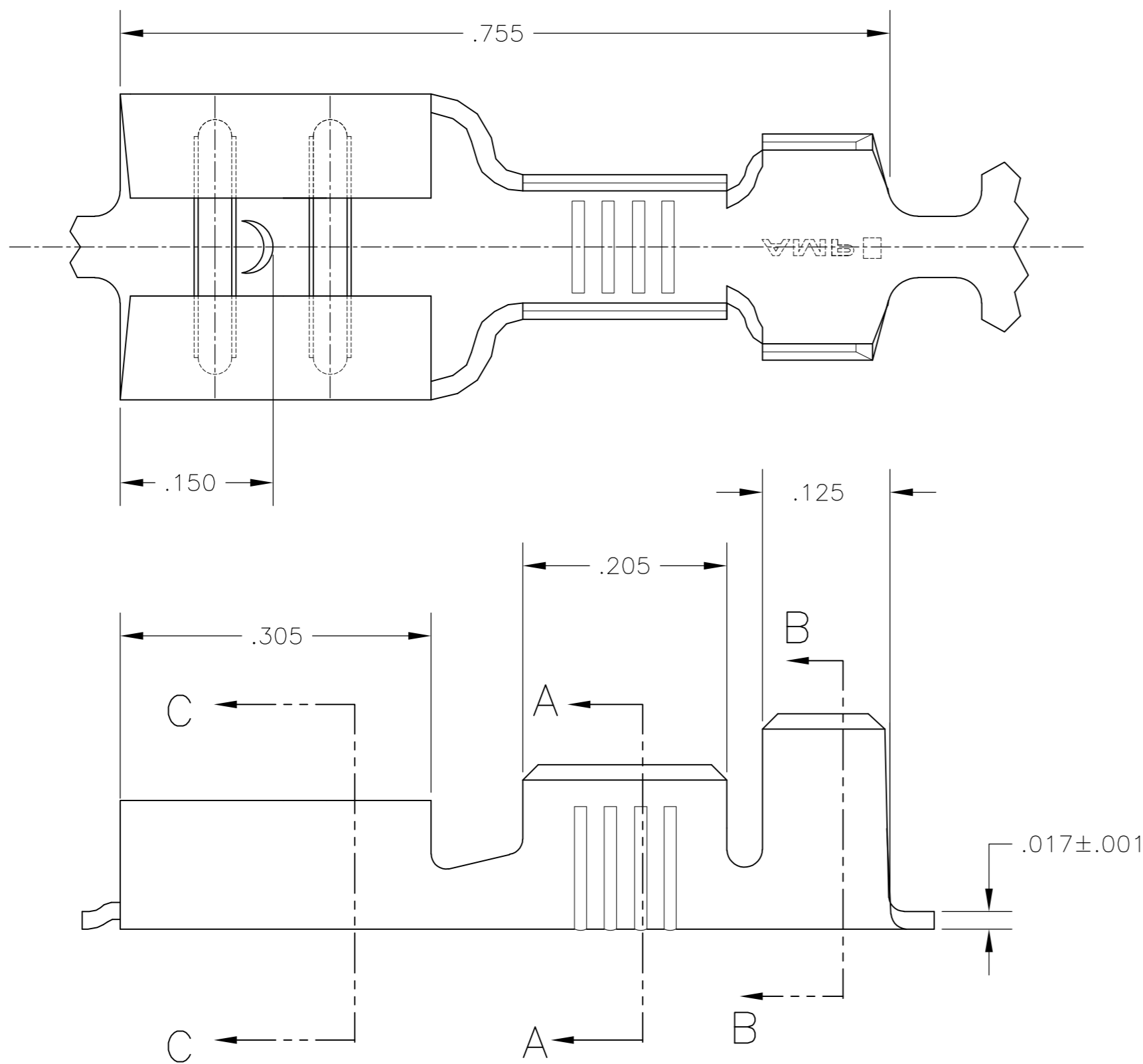


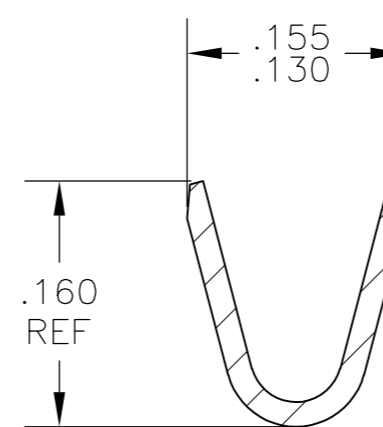
THIS DRAWING IS UNPUBLISHED. RELEASED FOR PUBLICATION
 © COPYRIGHT - By - ALL RIGHTS RESERVED.

| LOC | DIST | REVISIONS | | | |
|-----|------|-------------|---------------------------|-----------|-------|
| P | LTR | DESCRIPTION | DATE | DWN | APVD |
| AF | 50 | J | REVISED PER ECR-12-013459 | 29NOV2012 | KH PD |

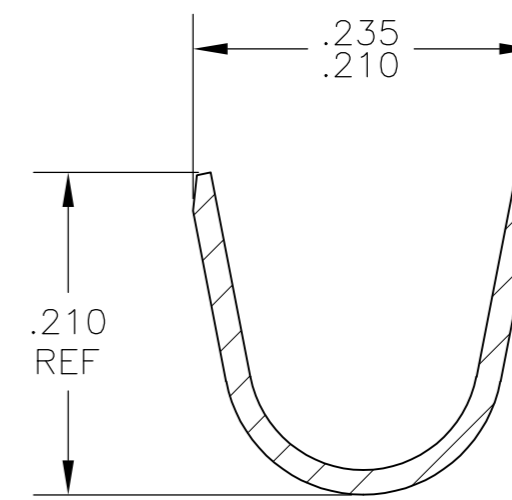
- 1 CONTINUOUS STRIP ON REELS
- 2 ACCEPTS #18-#14 AWG WIRE SIZE
CRIMP WIDTH, .120, F TYPE
- 3 INSULATION RANGE IS .120-.170 DIA
CRIMP WIDTH, .180, F OR O TYPE
- 4 MATING TAB THK IS .032±.001.



SECTION C-C



SECTION A-A



SECTION B-B

61107-1
 PART NO

| | | | | | | | | | | |
|--|--|----------------------------|------------|------------------|--|---------------------------------|--|---------------|------------|---------------|
| THIS DRAWING IS A CONTROLLED DOCUMENT. | | DWN | JR RUTH | 24JUN02 | | TE Connectivity | | | | |
| DIMENSIONS: INCHES | | CHK | P DESANTIS | 24JUN02 | | NAME | | | | |
| TOLERANCES UNLESS OTHERWISE SPECIFIED: | | APVD | P DESANTIS | 24JUN02 | | RECEPTACLE, FASTON, .250 SERIES | | | | |
| 0 PLC ± - 1 PLC ± - 2 PLC ± - 3 PLC ± .010 4 PLC ± - ANGLES ± - | | PRODUCT SPEC | | APPLICATION SPEC | | SIZE | | CAGE CODE | DRAWING NO | RESTRICTED TO |
| MATERIAL: BRASS | | FINISH: .000015 MIN SILVER | | WEIGHT: - | | A2 00779 | | C=61107 | | - |
| CUSTOMER DRAWING | | | | | | SCALE: 8:1 | | SHEET: 1 of 1 | | REV: J |